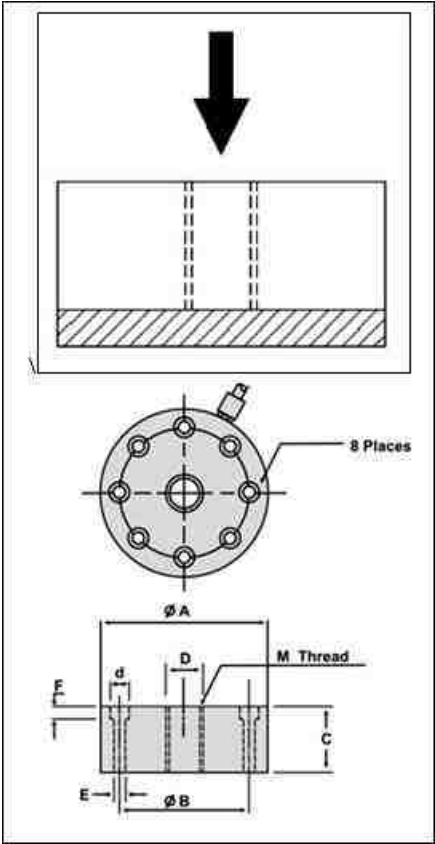
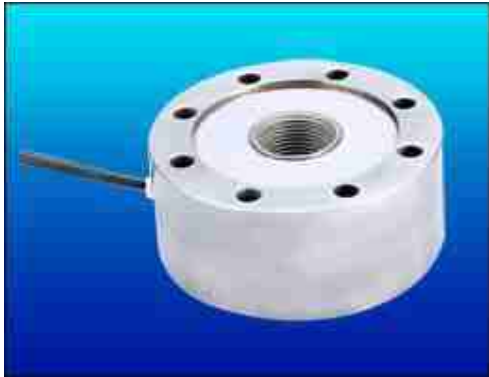




PANCAKE UNIVERSAL LOAD CELL

90610-T

90610-T pancake universal load cells are suitable for weigh bridge, tank and hopper weighing applications. This is constructed from heat treated stainless steel suitable for harsh and hygienic industrial applications. It is hermetically sealed and it has long life. Extremely suitable for tank, silos level monitoring. 90610-T is available with integral thread.



Features

- 50 Kgf to 500 Kgf Capacities.
- Complete environmental protection - IP68 class.
- Standard output 2.0 m V/V available. Hardened stainless steel construction.
- Miniature and low profile.
- Easy for installation.
- Custom built design available on request.

Performance Specification

Standard Capacities	50,100,200,500 KGF. 1, 2, 3, 5, 10, 20, 30, 50 Tf.
Excitation Voltage	10VDC-Maximum 15VDC
Nominal Output	2.0 mV/V
Non - Linearity	<±0.1% FSO
Hysteresis	<±0.1% FSO

CAPACITY Tf	A	B	C	D	E	F	M Thread
50 Kg - 1T	50	42	23	8	4.2	4.5	12 X 1.25
2T - 5T	90	70	35.5	10	6.5	6.5	16 X 1.5
10T - 20T 115	90	47.5	13	8.5	30 X 2	30 X 2	30 X 2
30T - 50T 155	125	74.5	18	12.5	39 X 2	39 X 2	39 X 2

Applications

Tank level measurement, Weighbridge, Tank, Silo and hopper weighing, Tensile testing and automation
Force and impact test, Low profile floor scale

INDUSTRIAL ENGINEERING INSTRUMENTS

Manufacturers of Techno Electronic Aids Devices, Instruments and Systems,
203, 12th Main Road, 3rd Phase, Peenya Industrial Area,
Peenya, Bangalore-560058. Karnataka, India.
Phone : 91-80-28394520 Fax : 91-80-28371386
Email: info@ieicos.com Web Site: www.ieicos.com

Due to continuous improvement, specifications, dimensions, look, color, feel and features subject to change without notice.